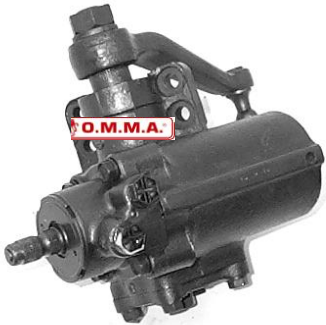
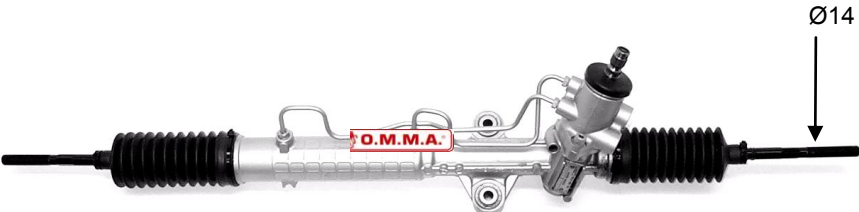
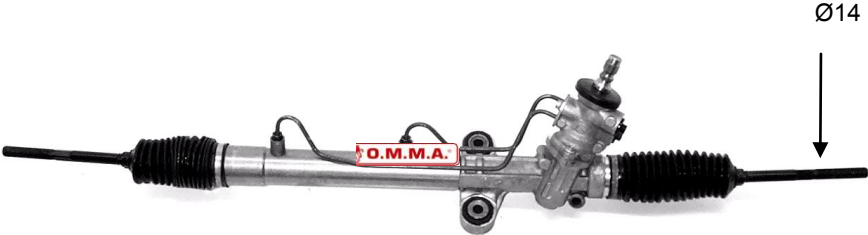
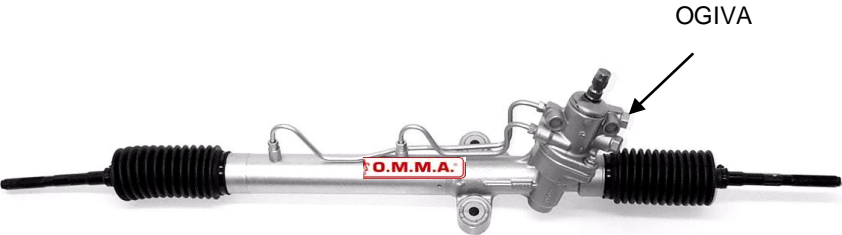
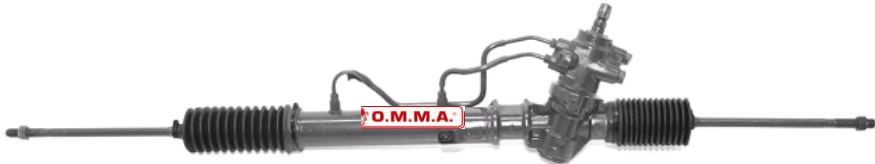
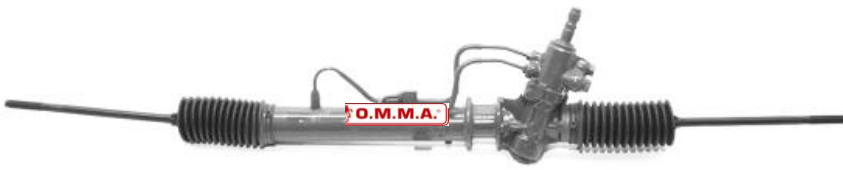
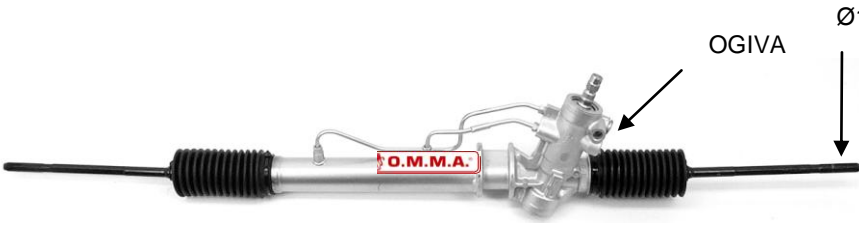


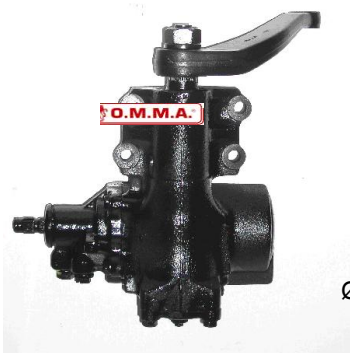
 <p>Distributore 35070 35140</p>	<p>4 RUNNER</p> <p>FABBR. TOYODA</p> <p>RIF. OMMA ZT 311</p>
	<p>BJ 42</p> <p>FABBR. TOYODA</p> <p>RIF. OMMA ZT 308</p>
 <p>Ø14</p>	<p>CARINA</p> <p>LARGHEZZA 1020mm FABBR. ZF 7832 974 114/ 118/ 121</p> <p>RIF. OMMA ZT 301</p>
 <p>7891</p> <p>Ø14</p>	<p>CARINA – AVENSIS</p> <p>LARGHEZZA 1020mm FABBR. ZF</p> <p>RIF. OMMA ZT 302</p>
 <p>44030</p> <p>OGIVA</p>	<p>CARINA</p> <p>FABBR. TOYODA</p> <p>RIF. OMMA ZT 303</p>

<p>Distributore 2-2</p>  <p>SL44</p>	<p>CELICA</p> <p>LARGHEZZA 1205mm</p> <p>RIF.OMMA ZT 313</p>
 <p>2440</p>	<p>CELICA GT4 2.0T Integrale</p> <p>LARGHEZZA 1220mm FABBR. KOYO</p> <p>RIF. OMMA ZT 315</p>
	<p>COROLLA</p> <p>LARGHEZZA 1185mm</p> <p>RIF. OMMA ZT 304</p>
 <p>7891974804 – 7891974208 – 44200 05080</p>	<p>COROLLA (ZDE) AVENSIS (T25) da 04/03></p> <p>FABBR.ZF LARGHEZZA 1145 mm</p> <p>RIF. OMMA ZT 322</p>
	<p>COROLLA</p> <p>RIF. OMMA ZT ***</p>

 <p>A long, silver metal steering rack assembly with black rubber boots at both ends and mounting brackets.</p>	<p>COROLLA (ZZ, ND, ZD) 11.01-02.07 COROLLA 3 VOL. (E12) 11.01-07.07 COROLLA SW (E12) 12.01-02.07</p> <p><i>(SCATOLA GUIDA MECCANICA PER SERVOGUIDA ELETTRICA)</i></p> <p>RIF. OMMA ZT 323</p>
 <p>A black metal steering knuckle with a ball joint and a tie rod end.</p> <p>35060</p> <p>O.M.M.A.</p>	<p>HI-LUX</p> <p>FABBR. TOYODA</p> <p>RIF. OMMA ZT 314</p>
 <p>A long, silver metal steering rack assembly with black rubber boots and a tie rod end.</p> <p>35020 – 4420 060 022</p> <p>O.M.M.A.</p>	<p>LAND CRUISER</p> <p>LARGHEZZA 960mm FABBR. TOYODA</p> <p>RIF. OMMA ZT 312</p>
 <p>A long, silver metal steering rack assembly with black rubber boots and a tie rod end.</p> <p>4425060050/ 60/ 70 - - 4531060101</p> <p>O.M.M.A.</p>	<p>LAND CRUISER (J10) da 02/98></p> <p>LARGHEZZA 960mm FABBR. TOYODA</p> <p>RIF. OMMA ZT 312 A (TIRANTE MASCHIO)</p>
 <p>A black metal steering knuckle with a ball joint and a tie rod end.</p> <p>O.M.M.A.</p>	<p>LAND CRUISER</p> <p>FABBR. TOYODA</p> <p>RIF. OMMA ZT 316</p>



Ø piantone 22

**LAND CRUISER (80 _ J8)
10/90>02/98**

FABBR. TOYODA
44110-60211

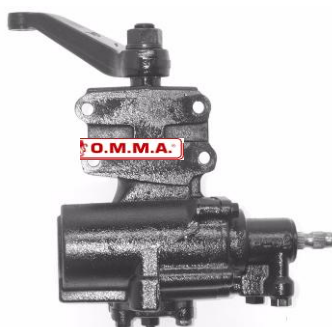
RIF. OMMA ZT 320



**LAND CRUISER (80 _ J8)
10/90>02/98**

FABBR. TOYODA
44110-60230

**RIF. OMMA ZT 320 A
C/SERVOTRONIC**



LJ 70

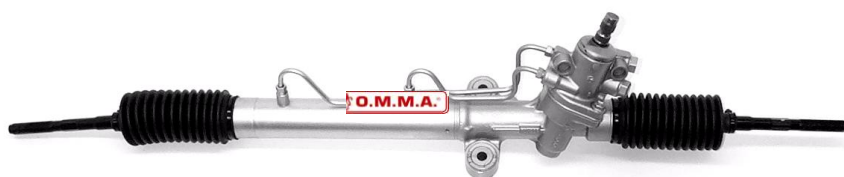
RIF. OMMA ZT 307



4411060160

**LAND CRUISER LX (_J4_)
(1983)**

RIF. OMMA ZT 305







44250-44030

PICNIC 05.96-12.01

FABBR. TOYODA

RIF. OMMA ZT 310

 <p>Ø14</p>	<p>RAV 4</p> <p>LARGHEZZA 1182mm</p> <p>RIF. OMMA ZT 309</p>
<p>TIRANTI DIM.14</p>	<p>RAV 4 da 02/01></p> <p>RIF.OMMA SRL ZT 321</p>
<p>BRACCIO 16x1,5</p>  <p>NSK 0031 ROTORE MILLE RIGHE</p>	<p>RAV 4 da 2006> (SCATOLA GUIDA MECCANICA)</p> <p>LARGHEZZA 1115mm</p> <p>RIF. OMMA ZT 319</p>
	<p>YARIS 04.99>09.05 (SCP1_, NLP1_, NCP1_)</p> <p>FABBR.TOYOTA LARGHEZZA 1300 mm</p> <p>RIF. OMMA ZT 306 BRACCI DA DIM.12</p>
	<p>YARIS 04.99>09.05 (SCP1_, NLP1_, NCP1_)</p> <p>FABBR.TOYOTA LARGHEZZA 1225 mm</p> <p>RIF. OMMA ZT 306 A BRACCI DA DIM.14</p>

 <p>45510 52010 - 45510 52020</p>	<p>YARIS 04.99>09.05 (SCP1_, NLP1_, NCP1_) <i>(SCATOLA GUIDA MECCANICA)</i></p> <p>RIF. OMMA ZT 318</p>
 <p>4551052140 – 4551052200 – 4551052040 – 4551052080 - 4551052190</p>	<p>YARIS II in alluminio 1.0 VVT Da 01/06> 1.5 Da 11/05> 1.8 VVT Da 01/07> <i>(SCATOLA GUIDA MECCANICA)</i></p> <p>RIF. OMMA ZT 318 A</p>

--	--